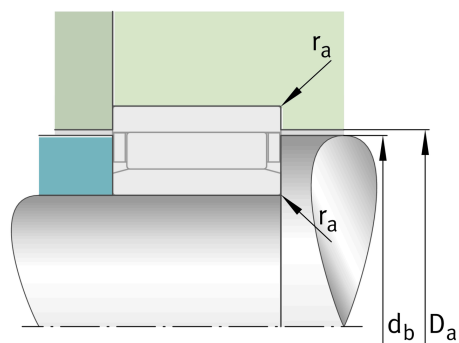
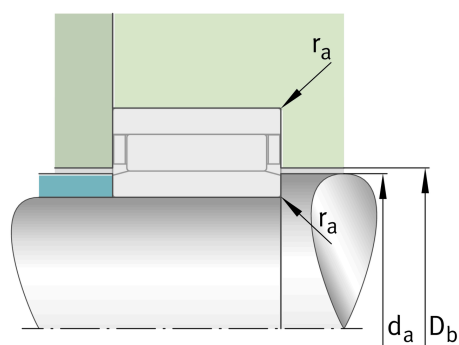
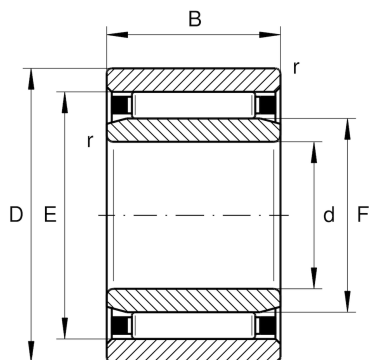
**NAO20X35X17**

Radial roller bearing

Schaeffler ID:
0000106500000

Radial roller bearing NAO

Technical information

**Main Dimensions & Performance Data**

d	20 mm	Bore diameter
D	35 mm	Outside diameter
B	17 mm	Width
C _r	14,900 N	Basic dynamic load rating, radial
C _{0r}	26,000 N	Basic static load rating, radial
C _{ur}	3,500 N	Fatigue load limit, radial
n _G	18,100 1/min	Limiting speed
n _{G Grease}	10,900 1/min	Limiting speed for grease lubrication
n _{gr}	10,000 1/min	Reference speed
	76.7 g	Weight

Dimensions

r _{min}	0.3 mm	Minimum chamfer dimension
E	29 mm	Raceway diameter outer ring
F	25 mm	Raceway diameter inner ring
s	0.5 mm	Axial displacement

Mounting dimensions

r _{a max}	0.3 mm	Maximum recess radius
d _a	24.5 mm	Mounting dimension
d _b	28.4 mm	Shoulder diameter axial guidance NK/shaft
D _a	29.5 mm	Shoulder diameter outer ring
D _b	25.6 mm	Shoulder diameter axial guidance NK/housing

Temperature range

T _{min}	-30 °C	Operating temperature min.
T _{max}	120 °C	Operating temperature max.

